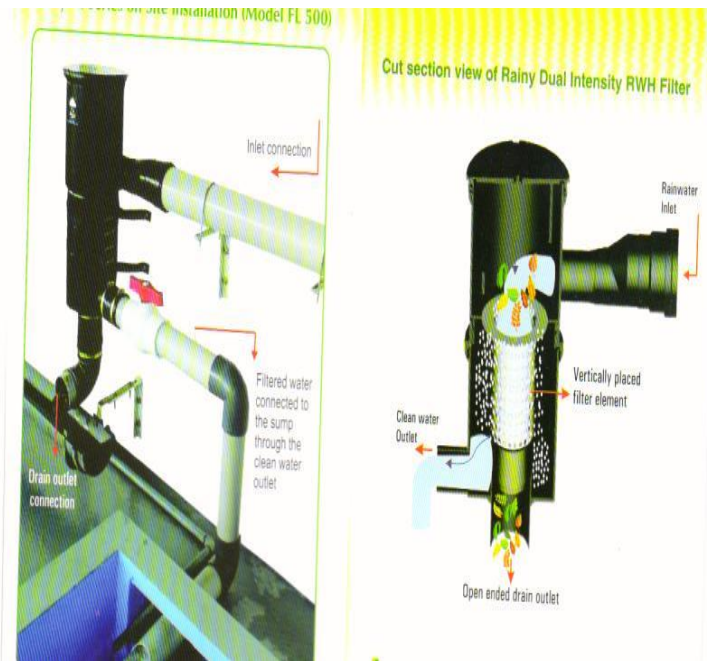


**6.4.2 c - Policy to maximise water
reuse across the university
(Technology Enhanced pollution
prevention of Water bodies)**

Special Features

- Dual intensity filter works on the principle of cohesive & centrifugal force.
- Works on Gravitational force (No external energy required).
- Compact in size and wall mounted.
- Automatic flush out of dirt particles.
- Flexibility in pipe connection to any angle and degree.





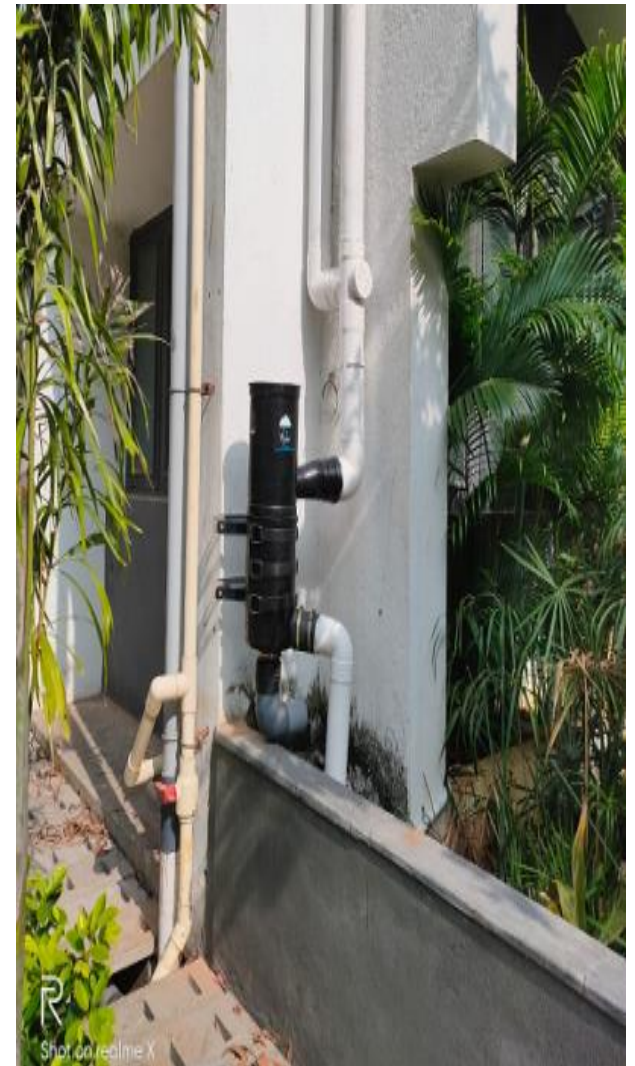
Architecture Block



Computer Science Block



Mechanical Engineering Block



Pharmacy Block